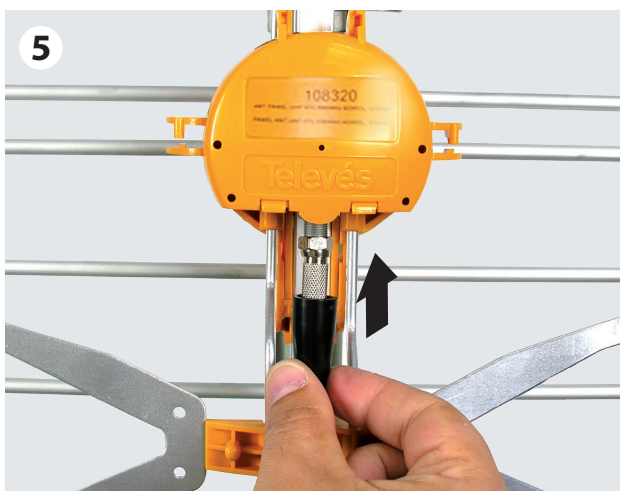
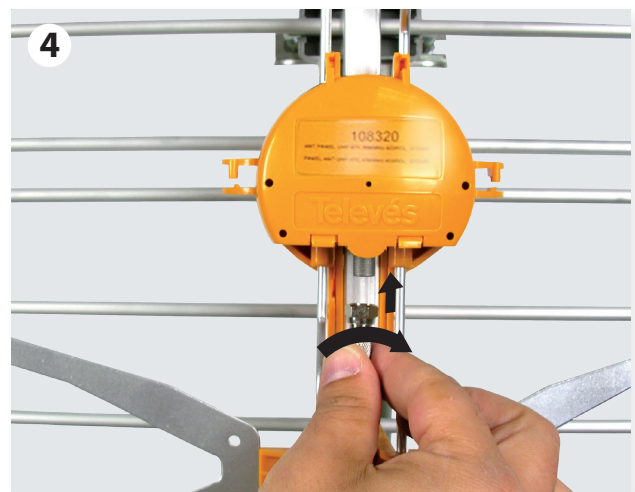
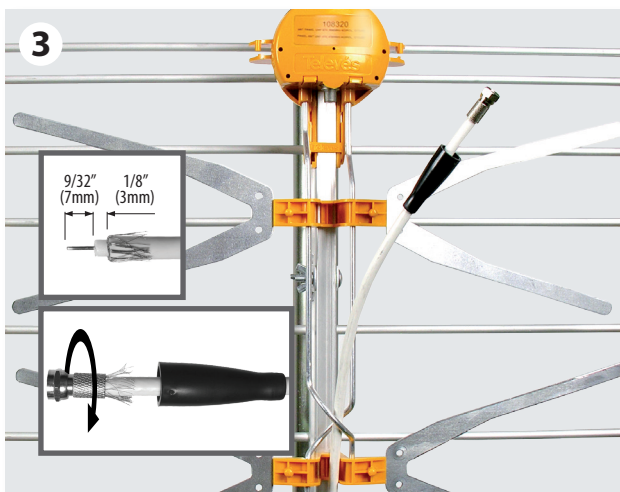
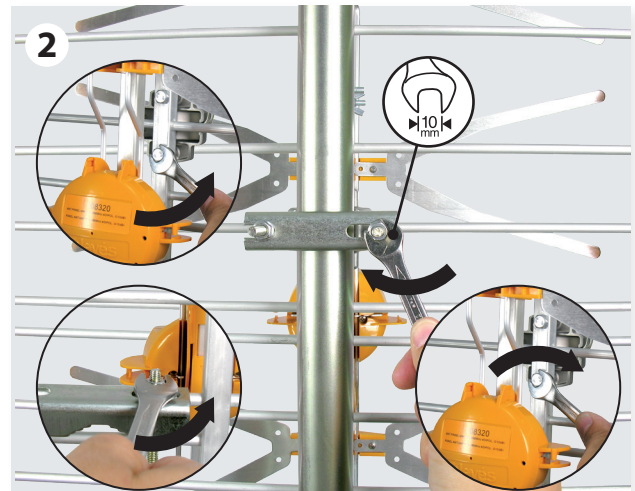
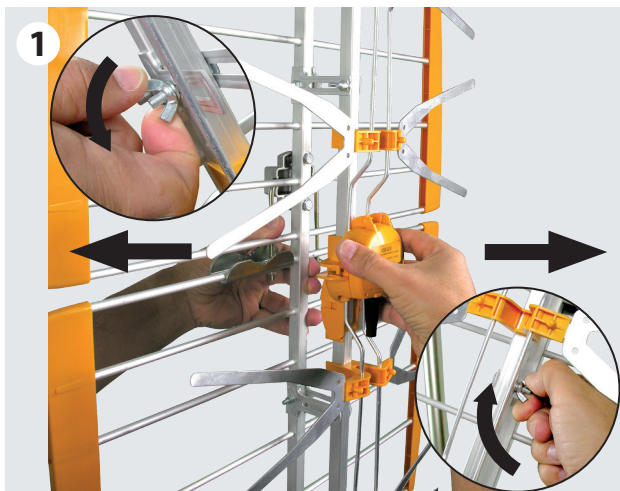


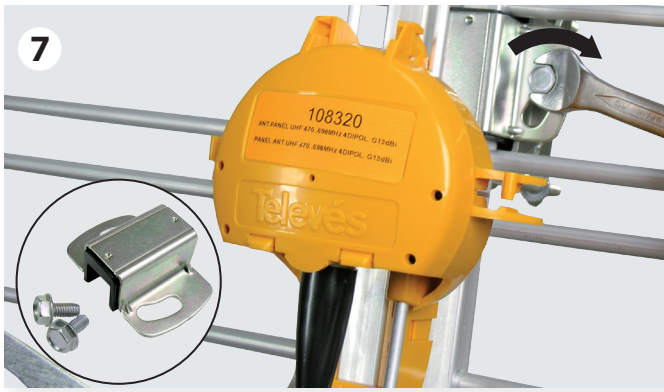
Panel Antenna / Antena Panel

UHF

Ref. 108320



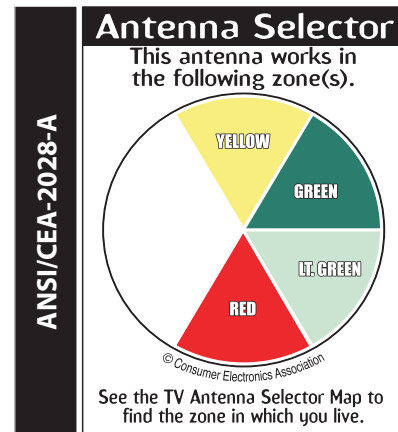
Horizontal assembly / Montaje horizontal



Referencia	Reference	108320	
Banda de trabajo	Working band	MHz	470 - 698 CH 21 - 48 (EU) CH 14 - 51 (USA)
Ganancia	Gain	dBi	13
Relación D/A	F/B ratio	dB	20
Carga al viento	Wind load	N	139 ⁽¹⁾ 191,5 ⁽²⁾
Dimensiones	Dimensions	mm	807 x 560 x 206
		in	31,77" x 22,05" x 8,11"
Peso	Weight	g	1343
		lb	2,96

⁽¹⁾ 80 miles/h - 130 Km/h

⁽²⁾ 93 miles/h - 150 Km/h



Safety Instructions:

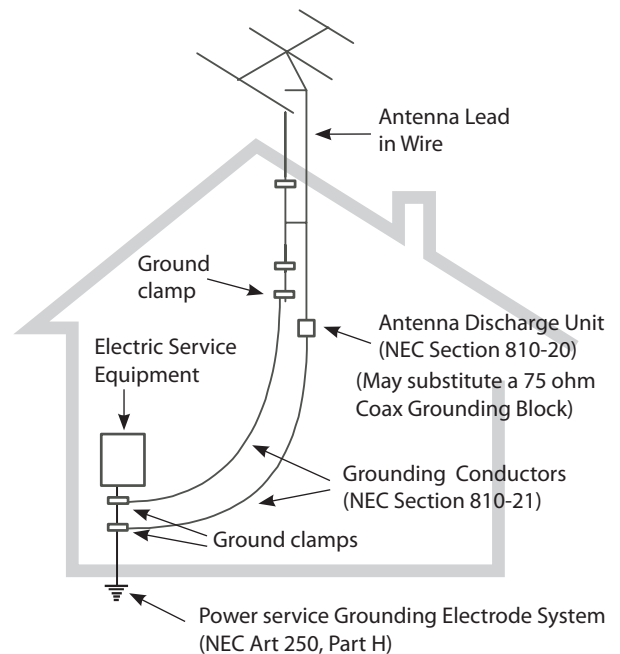
LIGHTNING PROTECTION

- ◆ If installed outdoors, be sure the antenna system is grounded so as to provide protection against voltage surges and built-up static charges. Section 810 of the National Electrical Code ANSI/NFPA70, or CSA C22.1 sections 10, 16, and 54, of the Canadian Electrical Code, provide information with respect to proper grounding of the mast and supporting structure, grounding of the antenna lead-in wire to an antenna discharge unit, size of grounding conductors, location of antenna-discharge unit, connection to grounding electrodes, and requirements for the grounding electrode (see figure and instructions).
- ◆ Mount the lightning arrester or 75 ohm coaxial grounding block as close as possible to where the 75 ohm coaxial cable download enters the house.
- ◆ The ground wires for both the mast and the download should be copper or aluminum wire, number eight (8) or larger.
- ◆ The download wire from the antenna to the lightning arrester and the mast ground wire should be secured to the house, spaced from four (4) to six (6) feet apart.
- ◆ In the case of a "ground up" antenna installation it may not be necessary to ground the mast if the mast extends four or more feet in the earth. Consult a TV serviceman for the proper depth in your location.

WARNINGS

- ◆ To prevent fire or shock hazard, do not expose the included power supply to rain or moisture.
- ◆ Installation of off-air antennas near power lines is dangerous. For your safety, follow the installation instructions.
- ◆ Any alteration or modification to the product or usage not in accordance with product instructions voids the warranty.

Example of antenna grounding as per National Electrical Code, ANSI/NFPA 70



NEC - National Electrical Code

DECLARACIÓN DE CONFORMIDAD ■ DECLARATION OF CONFORMITY ■ DECLARAÇÃO DE CONFORMIDADE ■ DECLARATION DE CONFORMITE ■ DICHIARAZIONE DI CONFORMITÀ ■ DEKLARACJA ZGODNOŚCI ■ KONFORMITÄTSEKLRÄRUNG ■ ΠΙΣΤΟΠΟΙΗΤΙΚΟ ΣΥΜΜΟΡΦΩΣΗΣ ■ FÖRSÄKRAN OM ÖVERENSSTÄMMELE ■ ДЕКЛАРАЦИЯ СООТВЕТСТВИЯ ► <https://doc.televes.com>